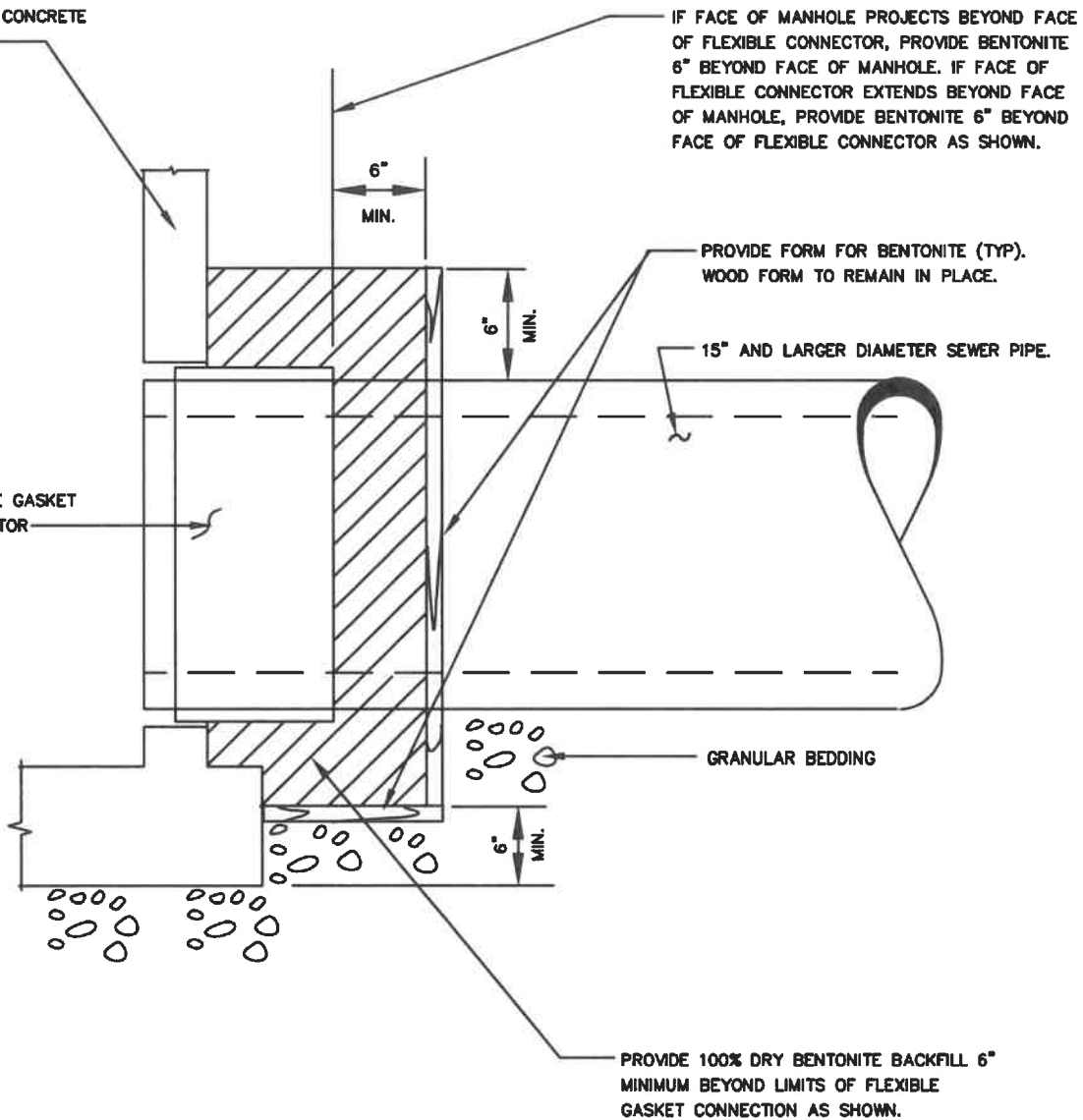


PRECAST CONCRETE
MANHOLE

FLEXIBLE GASKET
CONNECTOR



WASHINGTON
SUBURBAN
SANITARY
COMMISSION

APPROVED: 7-7-21
M. H. Harrison
Chief Engineer

STANDARD DETAIL
15-INCHES AND LARGER SEWER
PIPE TO MANHOLE
CONNECTION

S
3.7