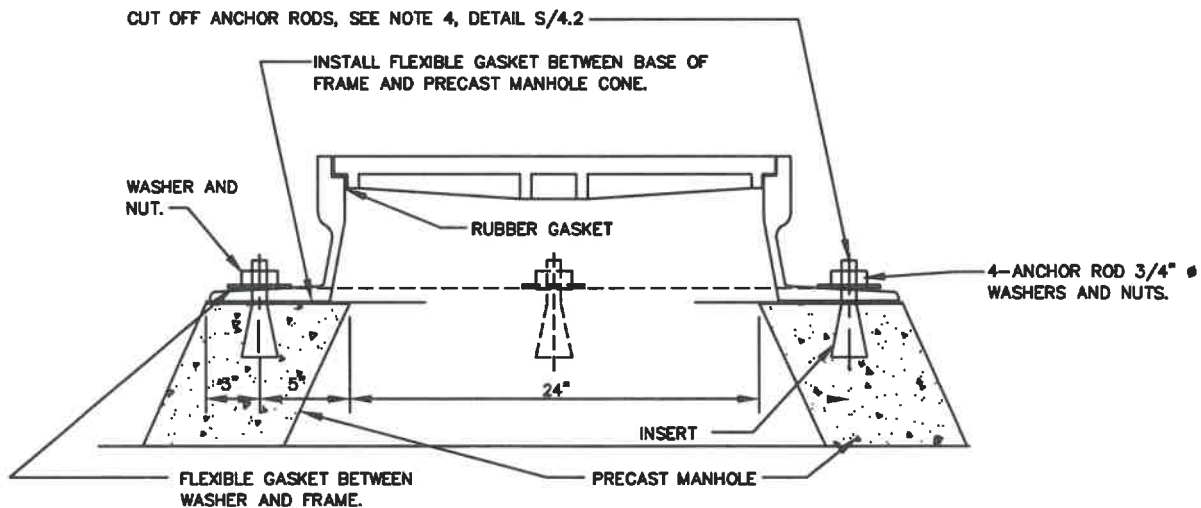


PLAN

NOTES:

1. MOUNT FRAME/COVER ON MANHOLE CONE WITHOUT GRADE RING TRANSITION, AS SHOWN. TOP OF FRAME AND COVER SHALL BE SET 12" BELOW FINAL RIM ELEVATION SHOWN ON THE DRAWINGS.
2. IF SLOTTED INSERTS ARE USED DO NOT FILL WITH MORTAR.



SECTION A-A

WASHINGTON  
SUBURBAN  
SANITARY  
COMMISSION

APPROVED: 7-7-21  
*M. M. Harmon*  
Chief Engineer

STANDARD DETAIL

INTERIM SETTING ANCHORING  
24-INCH WATERTIGHT FRAME  
& COVER TO MH CONE

S  
4.2a