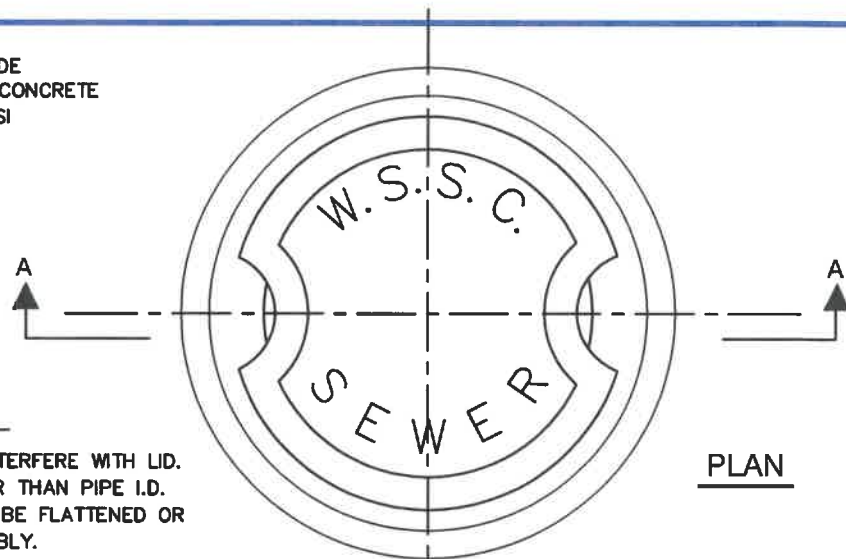


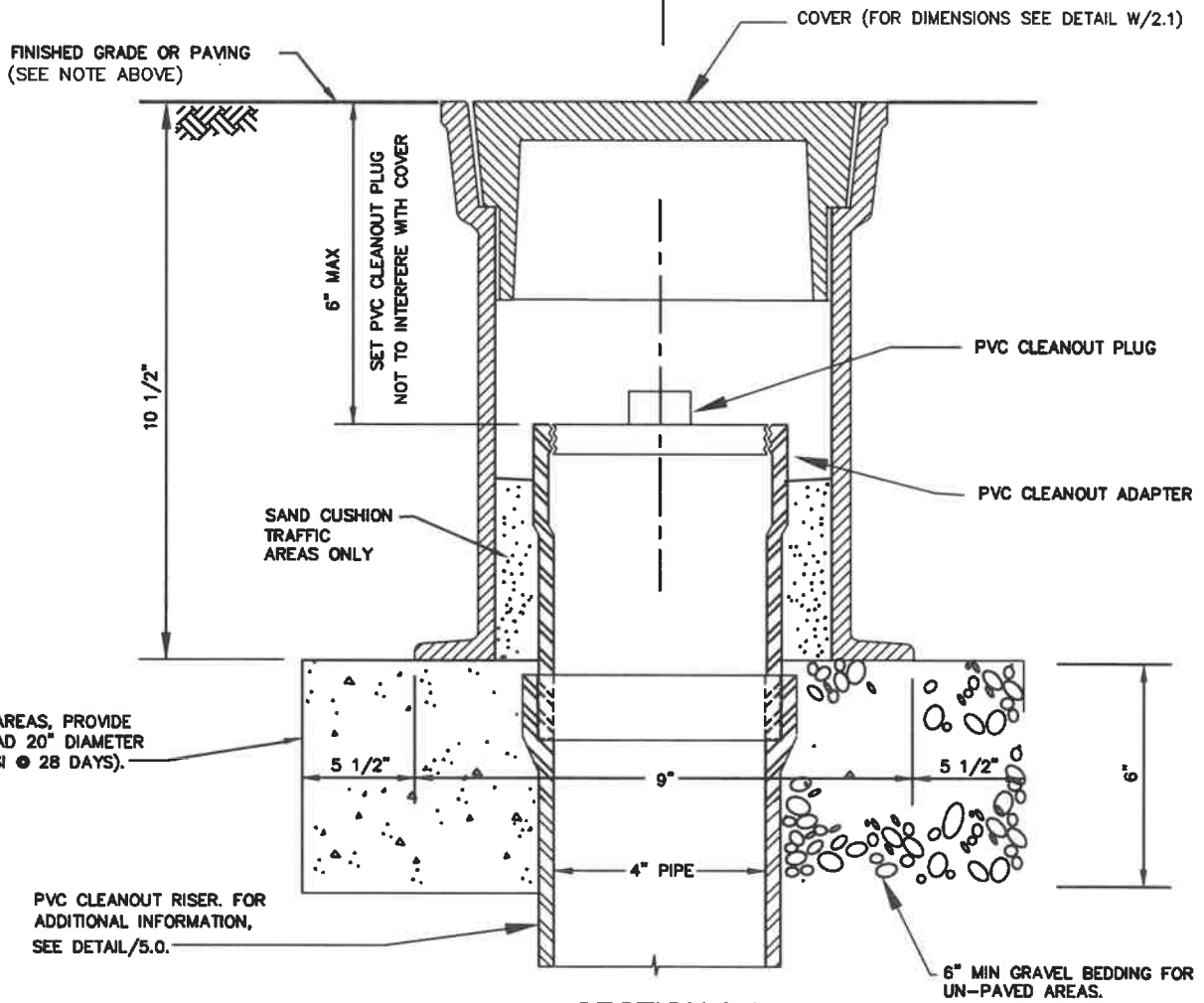
NOTE: IN VEHICULAR TRAFFIC AREAS NOT PAVED, PROVIDE 2'x2'x10 1/2"(H) SQUARE CONCRETE ENCASEMENT ($f'_c=3000$ PSI @ 28 DAYS) AROUND THE FRAME.



PLAN

EXPANSION PLUG NOTES:

1. EXPANSION PLUG SHALL NOT INTERFERE WITH LID.
2. PLUG FLANGE SHALL BE LARGER THAN PIPE I.D.
3. THREADED COMPONENTS SHALL BE FLATTENED OR STAKED TO PREVENT DISASSEMBLY.



SECTION A-A

WASHINGTON
SUBURBAN
SANITARY
COMMISSION

APPROVED: 7-7-21

M. J. Harmon
Chief Engineer

STANDARD DETAIL

CLEANOUT COVER ASSEMBLY
FOR 4-INCH CLEANOUTS

S
5.1