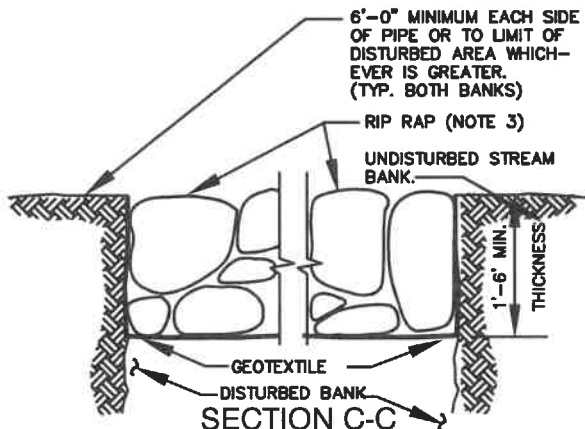
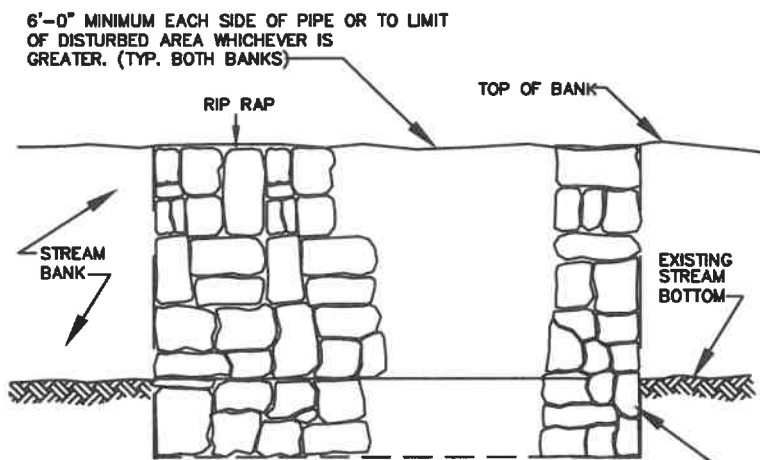


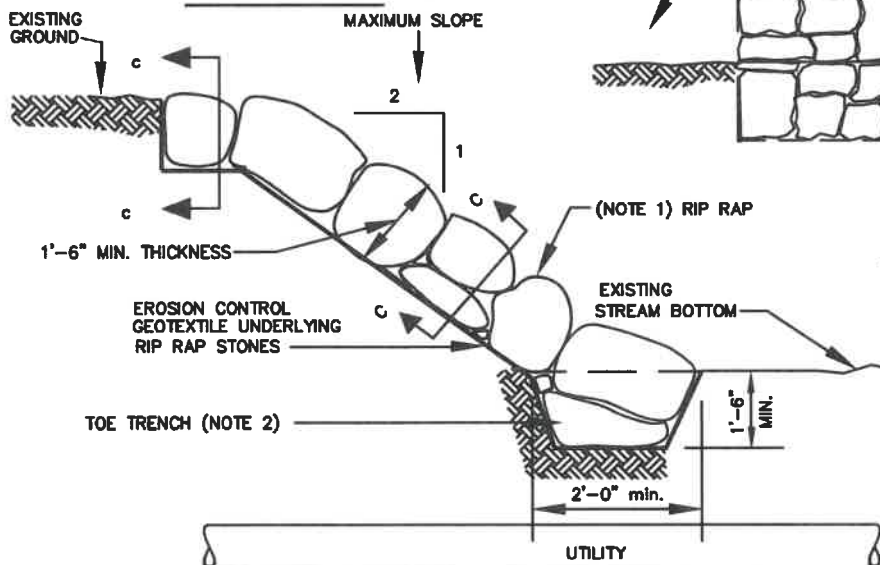
PLAN



SECTION C-C



SECTION B-B



SECTION A-A

NOTES:

1. USE UNGROUTED CLASS 2 STONE UNLESS OTHERWISE NOTED.
2. NO RIP RAP SHALL BE PLACED WITHIN 1' CLEAR ABOVE THE TOP OF THE PIPE.
3. TOP OF THE RIP RAP SHALL BE FLUSH WITH THE EXISTING UNDISTURBED STREAM BANK.

WASHINGTON
SUBURBAN
SANITARY
COMMISSION

APPROVED: 7-26-21
Mick Hammer
Chief Engineer

STANDARD DETAIL
STREAM BANK
PROTECTION AT UTILITY
STREAM CROSSING

SC
3.0