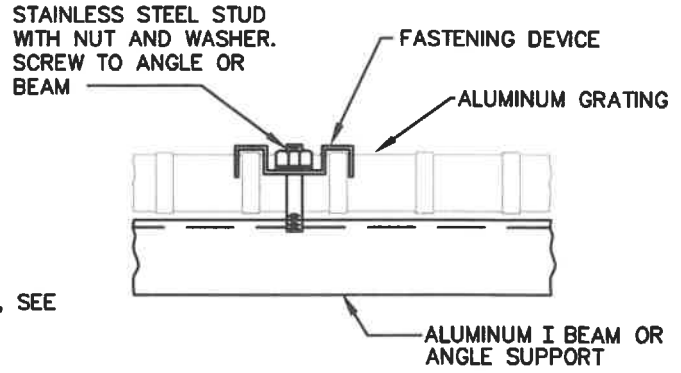


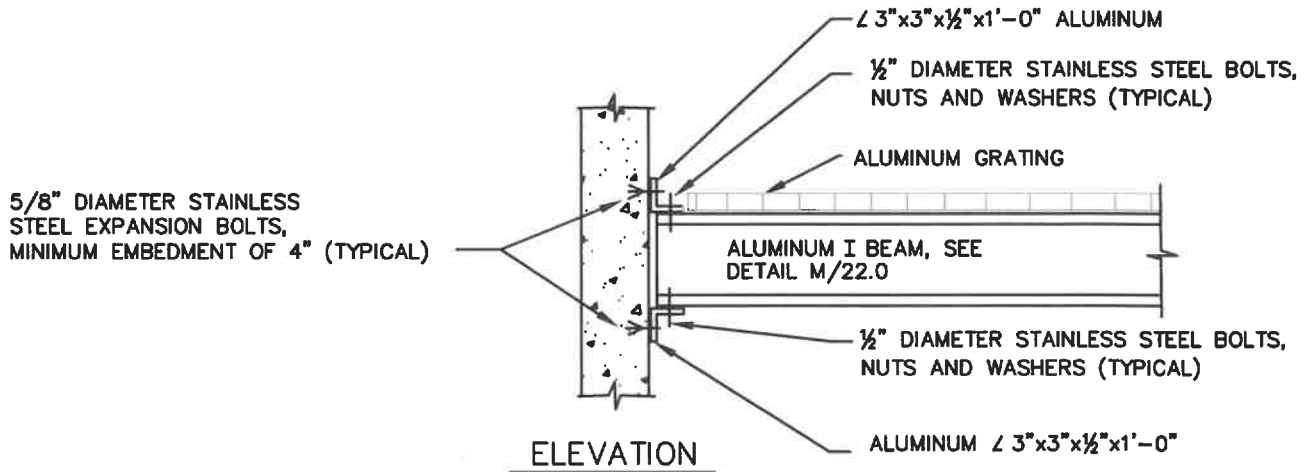
PARTIAL PLAN



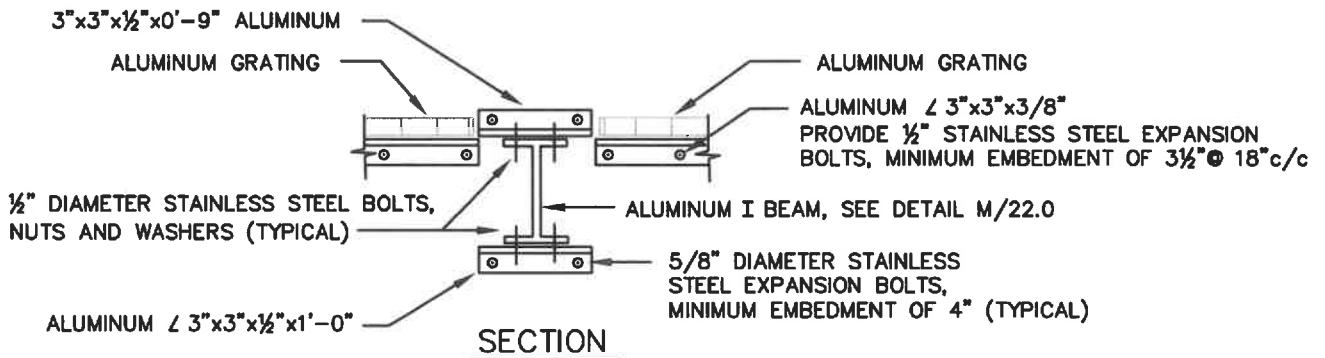
GRATING ANCHORING DETAIL

NOTE:

FASTENING DEVICE PER MANUFACTURER'S RECOMMENDATIONS. PROVIDE MINIMUM OF 4 FASTENERS PER GRATING UNIT.



ELEVATION



SECTION

WASHINGTON
SUBURBAN
SANITARY
COMMISSION

APPROVED: 6/17/21
Mike Harmer
Chief Engineer

STANDARD DETAIL
ALUMINUM
PLATFORM GRATING
FOR VAULTS

M
22.1