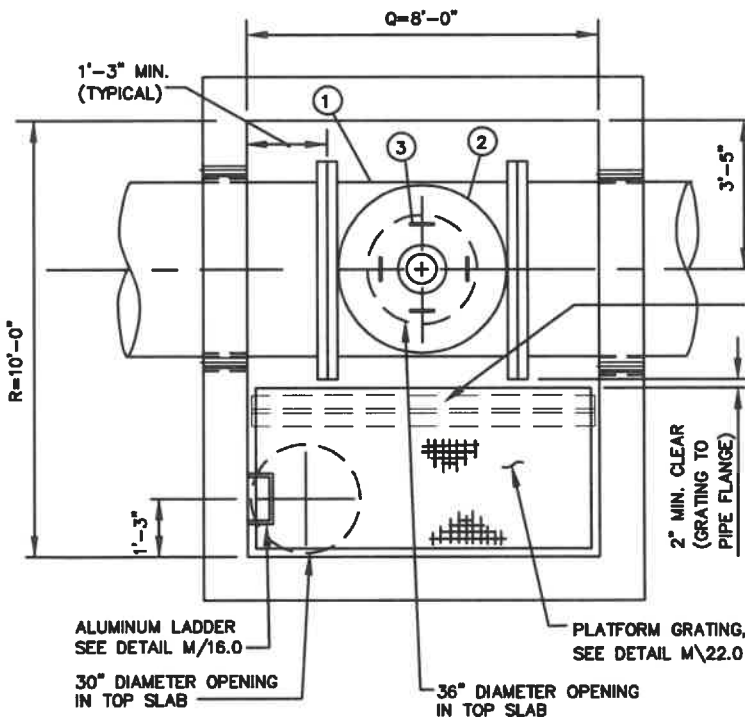


PLATFORM GRATING,
SEE DETAIL M/22.0

SECTION

MATERIAL LIST

NO.	SIZE	DESCRIPTION	JOINT
1	-	TEE (36" OUTLET)	FLG
2	36"	STEEL BLIND FLANGE, AWWA C207, CLASS E WITH 6" OUTLET PIPE SEE DETAIL W/10.4	FLG
3	-	LIFTING HOOKS, SEE DETAIL W/10.4	-
4	6"	STEEL PIPE SCHEDULE 40, SEE DETAIL W/10.4	FLG
5	6"	GATE VALVE WITH HANDWHEEL CLASS 125	FLG
6	6"	STEEL BLIND FLANGE, AWWA C207, CLASS E	FLG



PLAN

NOTE:

1. CONTRACTOR MAY USE PRECAST VAULT. SEE SPECIFICATIONS FOR SUBMITTAL REQUIREMENTS.
2. PROVIDE RUBBER ANNUAL HYDROSTATIC SEALING DEVICES FOR PIPE THROUGH WALL CONNECTIONS, SEE SPECIFICATIONS.
3. SEE DETAIL W/2.8 FOR V-BIO POLYETHYLENE ENCASEMENT.

WASHINGTON
SUBURBAN
SANITARY
COMMISSION

APPROVED: 7-26-21
Mike Harmon
Chief Engineer

STANDARD DETAIL
ENTRY PORT VAULT
FOR 36" TO 48"
DIAMETER PIPES

W
10.3