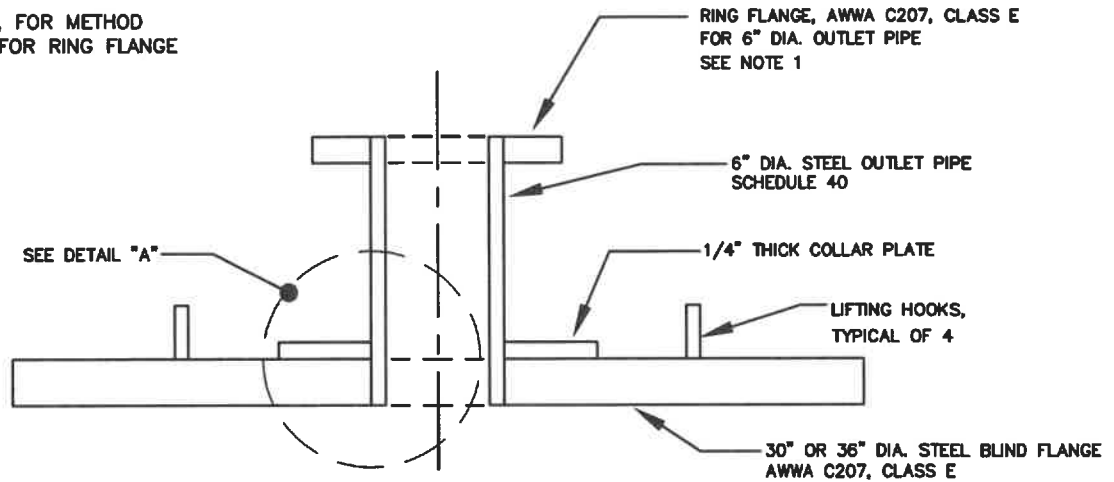
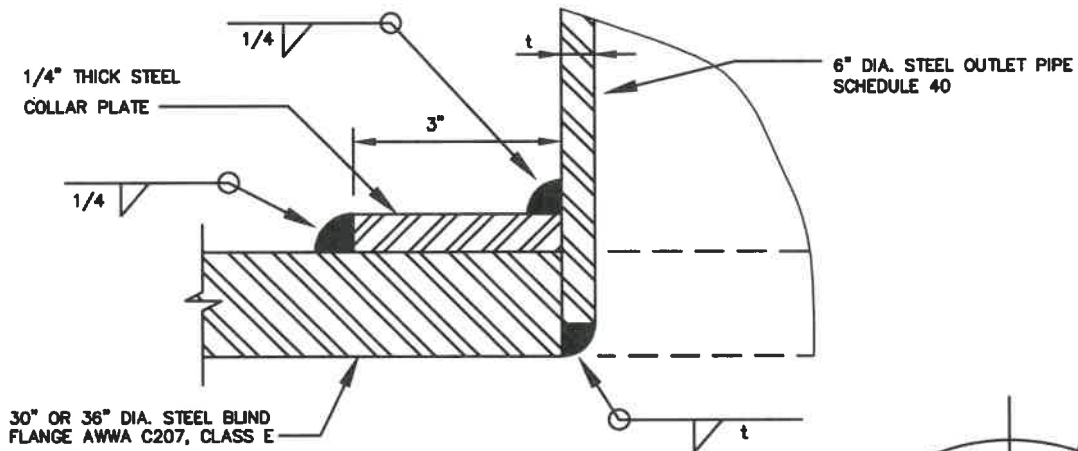


NOTE:

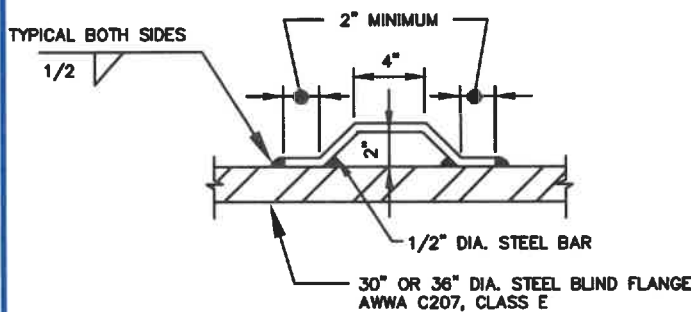
1. SEE AWWA C207, FOR METHOD OF ATTACHMENT FOR RING FLANGE TO OUTLET PIPE.



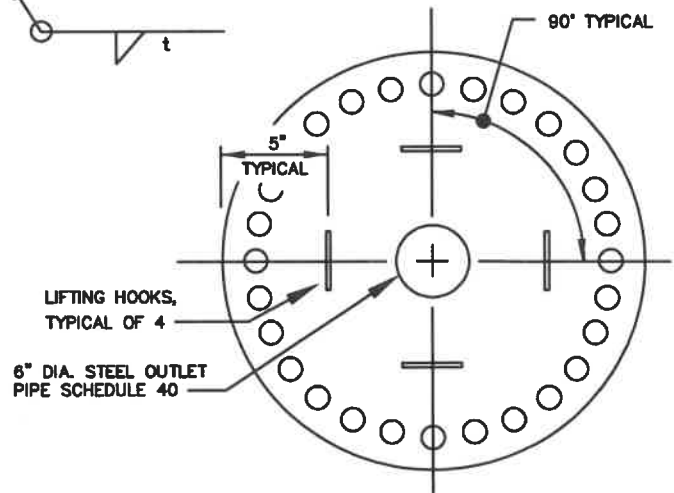
DETAIL OF 30"/36" ENTRY PORT BLIND FLANGE WITH 6" OUTLET



DETAIL "A"



LIFTING HOOK DETAIL



LIFTING HOOK LOCATION DETAIL

WASHINGTON
 SUBURBAN
 SANITARY
 COMMISSION

APPROVED: 7-26-21

Mike Harmon
 Chief Engineer

STANDARD DETAIL

BLIND FLANGE DETAILS
 FOR
 ENTRY PORT VAULTS

W
 10.4